



AN SPX BRAND



Duplex D-Type Strainer

6" & 8" NB

D Type Dual Basket Strainer 6" & 8" (150 mm & 200 mm)

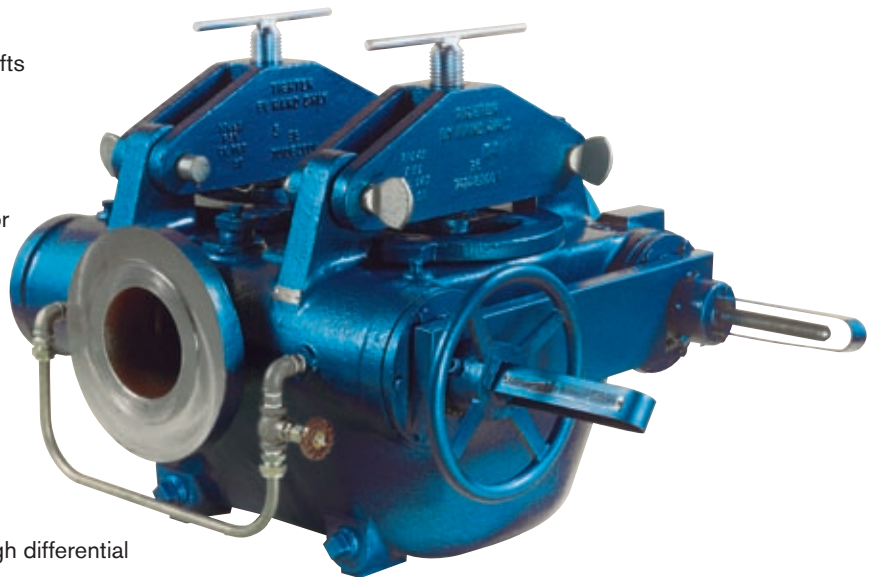
Duplex D-Type strainers are used for pipelines operating continuously, where a single strainer cannot be used as the flow would have to be interrupted to clean the element. Twin filtration chambers each rated for 100% capacity and two disk type changeover valves operated by interconnected screwed shafts for simultaneous operation, ensure that a filtration chamber is always in operation.

Standard Features

- Quick release covers for ease of basket removal without the need for tools or lifting gear
- Resilient cover 'O' seals
- Robust basket support cages complete with replaceable mesh inserts (when required) reducing spares holding and operating costs
- Fitted with 2mm perforated stainless steel basket as standard
- External valve position indicators showing which chamber is on stream
- Replaceable valve seats
- Synchronised chain drive
- External pressure equalising valve
- Stainless steel disc valves and screwed shafts
- Single basket per chamber

Options

- Mesh inserts from 20-300 mesh available for fine filtration applications
- Alternative basket materials available
- External paint finish options
- Internal protective coatings
- Differential pressure indication / switches
- Flanged vent and drains
- Magnetic element assemblies
- Reinforced support baskets to withstand high differential pressures
- Automatic valve changeover operation



SPX[®]

Design Data

Cast Iron BS 1452 GR 260			Cast Steel ASTM A216 WCB		
Flange Rating	Design Pressure	Working Temp	Flange Rating	Design Pressure	Working Temp
ANSI 125FF	10.3 BARG (150 psig) @ 38°C	0°C - 120°C	ANSI 150/300RF	24.0 BARG (350 psig) @ 38°C	0°C - 200°C

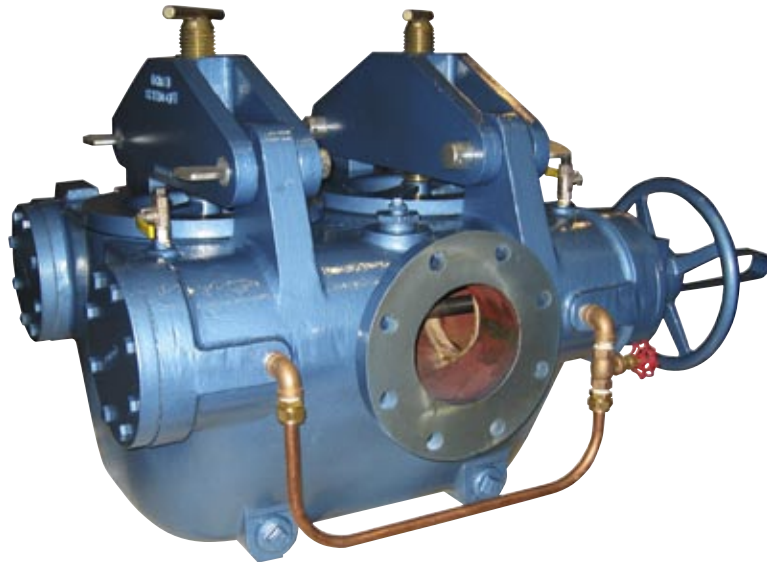
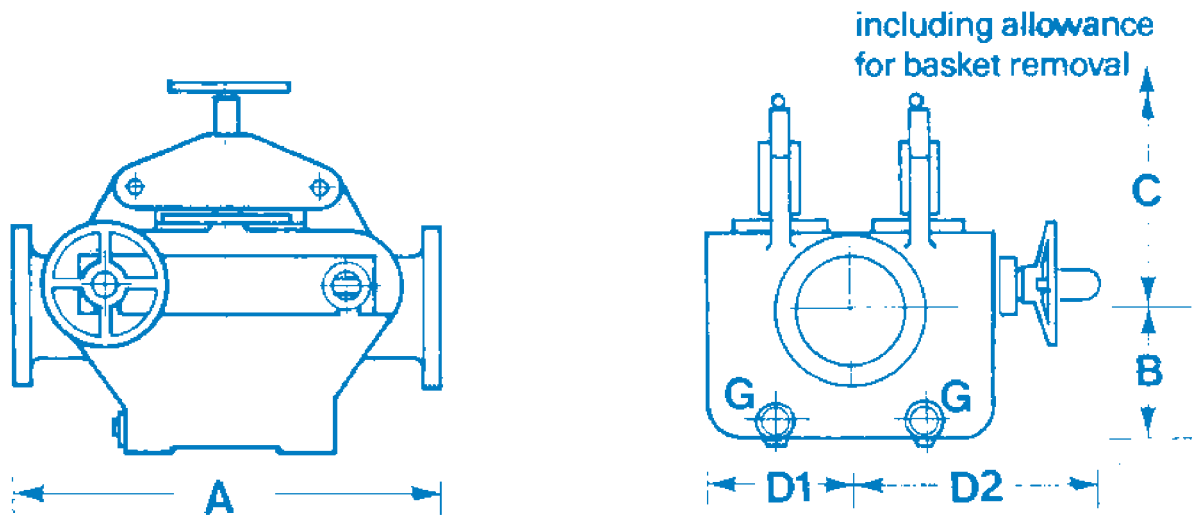
Flanges drilled to Customer requirements

- All Baskets and Mesh Inserts Stainless Steel AISI 316

Dimensions

Size		Model No.	No. of Baskets	A mm	B mm	C mm	D mm	E mm	F BSPT	Weight	
in	mm									lb	kg
6	150	6-DA	2	835	343	699	401	705	1½"	1003	454
8	200	8-DA	2	1016	343	788	401	705	1½"	1342	608

* vent and DP tappings are ¾" BSPT as standard



SPX Flow Technology
 Hambridge Road, Newbury, Berkshire, RG14 5TR
 Phone: +44 (0) 1635 42363 Fax: +44 (0) 1635 49758
 Email: plentyfilters@spx.com
 www.plentyfiltration.net
 www.spxft.com

For more information about our worldwide locations, approvals, certifications, and local representatives, please visit www.plentyfiltration.net. SPX Corporation reserves the right to incorporate our latest design and material changes without notice or obligation. Design features, materials of construction and dimensional data, as described in this bulletin, are provided for your information only and should not be relied upon unless confirmed in writing.

Issued: 04/2010 PF-35.00-1-EN

Copyright © 2010 SPX Corporation

SPX
 WHERE IDEAS MEET INDUSTRY®