



AN SPX BRAND



Filmet Filter

2½" – 6" NB

Filmet Filter 2½" – 6" (65 mm – 150 mm)

The Filmet range of filters has been designed specifically for applications where there are high flow rates requiring high efficiency filtration whilst maintaining extremely low pressure loss characteristics. It is ideally suited for flow meter protection for high value product, and is equally suitable for turbine, positive displacement and orifice plate types of flow meters.

Standard Features

- Quick release covers eliminate the need for tools for maintenance
- Very large basket filtration area to pipe CSA ratio up to 25:1
- Flow from inside to outside of basket to trap and retain debris
- Fitted with 2 mm perforated stainless steel basket
- A range of fine stainless steel mesh inserts to give particle removal down to 50 micron
- No spillage of product when cover is removed for basket cleaning
- Drain and gauge tapings available as required
- Simple robust construction
- Available in Cast Iron or Cast Steel



SPX®

Design Data

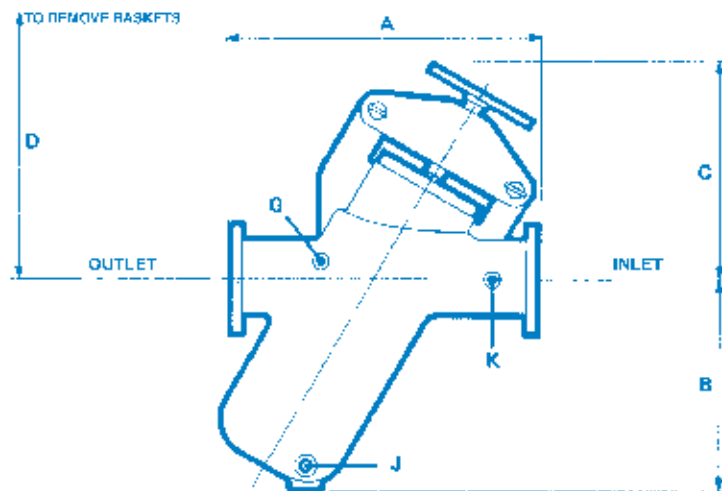
Size		Cast Iron BS 1452 GR 220		Cast Steel ASTM A216 WCB	
		Flange Rating	Design Pressure	Flange Rating	Design Pressure
2½	65	ASME B16.1 Class 125 FF	12 BARG	ASME B16.5 Class 300 RF	24 BARG
3	75		12 BARG		24 BARG
4	100		12 BARG		24 BARG
6	150		10.3 BARG		24 BARG

Flanges drilled to Customer requirements
All Baskets & Mesh Inserts are 316SS



Dimensions

Size		Basket Size (in)	A mm	B mm	C mm	D mm	J BSPT	Weight	
								lb	kg
2½	65	3	400	216	229	406	¾"	90	41
3	75	4	495	292	368	597	¾"	150	68
4	100	6	619	406	381	697	1"	300	136
6	150	8	819	572	497	903	1¼"	600	272



SPX Flow Technology

Hambridge Road, Newbury, Berkshire, RG14 5TR

Phone: +44 (0) 1635 42363 Fax: +44 (0) 1635 49758

Email: plentyfilters@spx.com

www.plentyfiltration.net

www.spxft.com

For more information about our worldwide locations, approvals, certifications, and local representatives, please visit www.plentyfiltration.net.

SPX Corporation reserves the right to incorporate our latest design and material changes without notice or obligation. Design features, materials of construction and dimensional data, as described in this bulletin, are provided for your information only and should not be relied upon unless confirmed in writing.

Issued: 10/2010 PF-55.00-1-EN

Copyright © 2010 SPX Corporation

SPX®