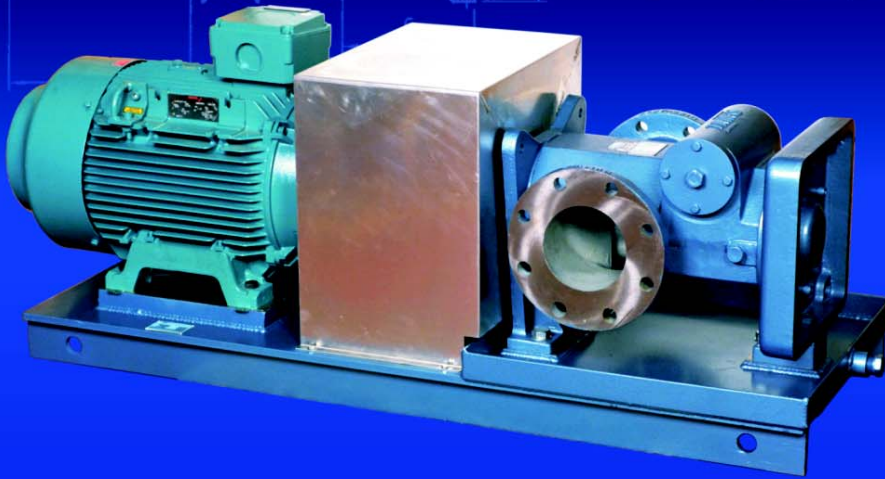


# Plenty Mirrlees Pumps

THE HEART OF THE SYSTEM



**TRIRO**

Range: 0 - 14 Bar  
Models: T70-3 to T100-3

## THREE SCREW PUMP

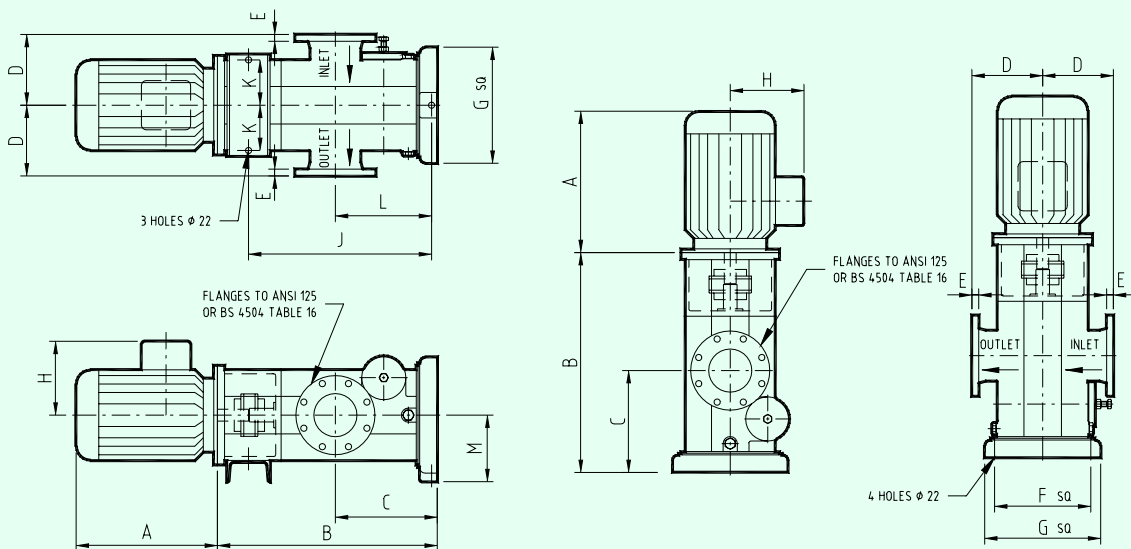
### Specification

- Body cast in high grade iron.
- Screwset, power rotor of carbon steel and idlers of high grade iron..
- Mechanical Seal fitted as standard.
- Easily adjusted Relief Valve constructed integrally with the pump body.
- Suction & Discharge flanged to ASA 125 as standard.
- Suitable for both vertical and horizontal arrangement.

### Principal Characteristics

- | **SILENT**
- | **VIBRATION FREE**
- | **PULSE FREE OPERATION**
- | **GOOD SUCTION**
- | **MECHANICAL SEAL**
- | **INTEGRAL RELIEF VALVE**
- | **VERSATILE INSTALLATION**
- | **PRECISION BUILT**
- | **HIGH EFFICIENCY**

# DIMENSIONS T70-3 TO T100-3 HORIZONTAL & VERTICAL MOUNTED



PUMP	MOTOR	Approximate dimensions (mm). DO NOT use for installation purposes.											FLANGES		
SIZE	FRAME	A	B	C	D	E	F	G	H	J	K	L	M	INLET	OUTLET
T70-3	132MD	371	648	323	215	22	280	350	188	536	115	303	185	100 (4")	100 (4")
	160MD	495	678						240						
	160LD														
T80-3	132MD	371	698	353	215	24	280	350	188	586	115	333	185	150 (6")	150 (6")
	160MD	495	728						240						
	160LD														
T90-3 / T100-3	160MD	495	777	360	250	24	340	410	240	647	160	340	235	150 (6")	150 (6")
	160LD								260						
	180MD	557													
	180LD														

(Approximate dimensions only. Certified drawings supplied with order).

## PERFORMANCE DATA

Viscosity cSt	Pressure Bar	Pump Size	Lead RPM	T70-3				T80-3				T90-3				T100-3			
				Normal		Short		Normal		Short		Normal		Short		Normal		Short	
				1450	2900	1450	2900	950	1450	1450	2900	950	1450	1450	2900	950	1450	950	1450
35	5	L/Min	404	849	321	677	378	606	482	1010	548	873	693	1446	762	1208	602	956	
		kW	4.6	10.1	3.7	8.1	4.4	6.9	5.5	12	6.2	9.9	7.9	17.1	8.5	13.5	6.8	10.8	
	15	L/Min	377	823	299	655	344	571	453	980	504	829	656	1408	707	1153	555	910	
		kW	10.9	22.7	8.8	18.2	10.5	16.2	13	26.9	14.9	23.2	18.5	38.4	20.5	31.8	16.3	25.3	
150	5	L/Min	425	870	339	695	406	633	505	1033	584	909	723	1476	806	1251	639	944	
		kW	5.7	13	4.5	10.4	5.1	8.4	6.7	15.4	7.4	12	9.6	21.9	10.1	16.5	8.0	13.1	
	15	L/Min	412	857	328	684	389	617	491	1019	562	887	705	1457	779	1225	616	971	
		kW	11.9	25.6	9.6	20.5	11.3	17.7	14.2	30.3	16.1	25.4	20.2	43.2	22.1	34.8	17.6	27.7	
750	5	L/Min	436	N/A	348	N/A	420	648	517	N/A	603	928	739	N/A	828	1274	658	1013	
		kW	7.5	N/A	6.0	N/A	6.6	11.1	8.9	N/A	9.4	15.9	12.7	N/A	12.9	21.8	10.3	17.4	
	15	L/Min	430	N/A	343	N/A	413	640	511	N/A	593	918	731	N/A	816	1262	648	1003	
		kW	13.8	N/A	11.1	N/A	12.7	20.5	16.4	N/A	18.2	29.3	23.3	N/A	24.9	40.1	19.8	31.9	

Pumps can also be selected for 60 Hz motor supply.

These are typical performance figures used as examples only. Full data for performance at all other viscosities and pressures available on request.

Operation Three screw pump with one, central, power driven rotor intermeshing with idler rotors, balanced and machined to effect a seal for the liquid being pumped.

## Plenty Mirrlees Pumps

Plenty Mirrlees Pumps, Earl Haig Road, Hillington, Glasgow G52 4JN, Scotland, UK.  
 Telephone: 0141 883 0314 (Int: 44 141 883 0314) Facsimile: 0141 882 2752 (Int: 44 141 882 2752)  
 Email: pumps.plenty@processequipment.spx.com Website: www.plentymirrleespumps.com