



AN SPX BRAND



Tanker Filter 14" & 16" NB

Tanker Filter 14" & 16" (350 mm & 400 mm)

The Tanker Filter has been specifically designed to accommodate large liquid flows and has a high dirt holding capacity. Typically used where large volumes of liquid are being transferred from tankers to storage where the flow can be interrupted for basket cleaning. This low profile, compact filter is well suited to situations where there is limited space. Offered in both cast iron and cast steel to suit water and oil applications.

Standard Features

- Twin baskets giving high dirt holding capacity for longer running between cleaning
- Quick release covers eliminate the need of tools for maintenance
- No spillage on cover removal
- Smooth passages for low resistance and low pressure drops
- Feet on the body for easy mounting
- Cover and bridge linked for easy and quick access
- Flow is from inside the basket to outside to trap and retain all debris
- High basket area to pipeline CSA ratio of approximately 6:1 in most cases
- Can be fitted with coarse perforated baskets (2 mm as standard)

Options

- Special internal lining
- 3 mm – 10 mm perforated baskets available
- Fine mesh basket lining for special applications



SPX[®]

Design Data

Cast Iron BS 1452 GR 260			Cast Steel ASTM A216 WCB		
Flange Rating	Design Pressure	Working Temperature	Flange Rating	Design Pressure	Working Temperature
ANSI 125FF	10.3 BARG (150 psig @ 38°C)	0°C - 120°C	ANSI 150	20.0 BARG (300 psig) @ 38°C	0°C - 200°C

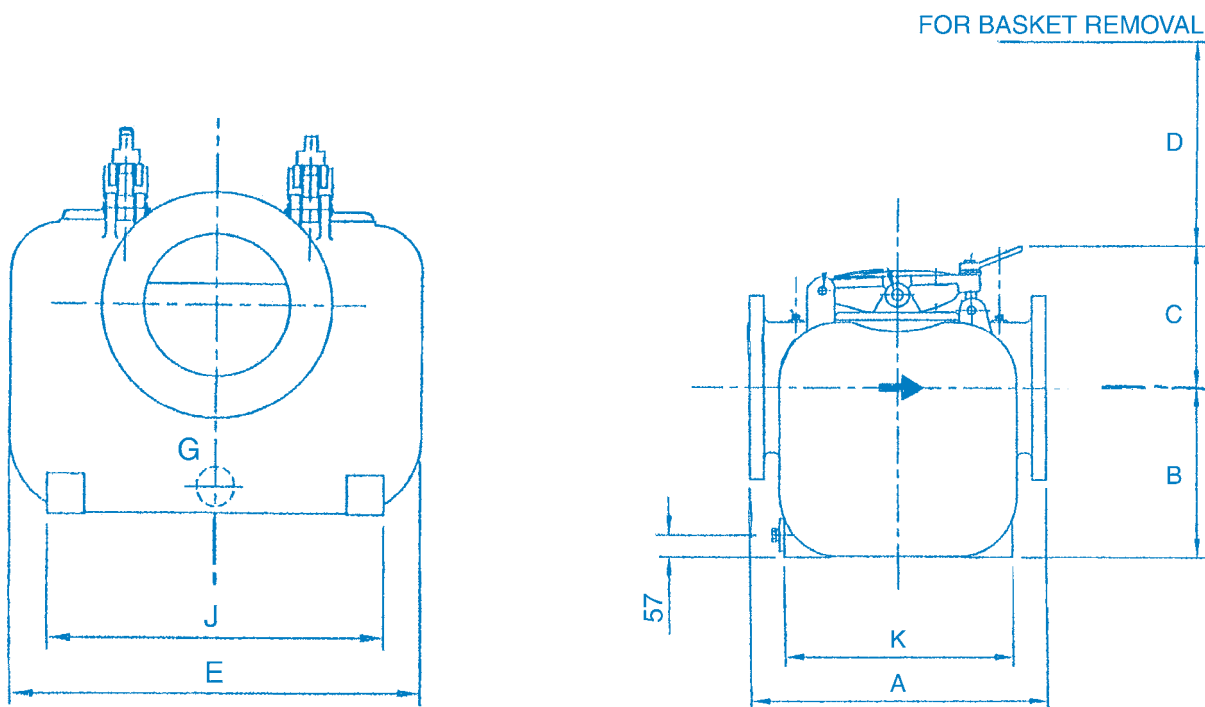
Flanges drilled to Customer requirements

- All Baskets and Mesh Inserts Stainless Steel AISI 316

Dimensions

Size		A	B	C	D	E	G	J	K	Weight	
in	mm	mm	mm	mm	mm	mm	BSPT	mm	mm	lb	kg
14	350	787	470	388	406	851	1½"	547	571	1290	585
16	400	787	445	413	406	851	1½"	547	571	1290	585

* Vent is 3/8" BSPT



SPX Flow Technology
 Hambridge Road, Newbury, Berkshire, RG14 5TR
 Phone: +44 (0) 1635 42363 Fax: +44 (0) 1635 49758
 Email: plentyfilters@spx.com
www.plentyfiltration.net
www.spxft.com

For more information about our worldwide locations, approvals, certifications, and local representatives, please visit www.plentyfiltration.net.

SPX Corporation reserves the right to incorporate our latest design and material changes without notice or obligation. Design features, materials of construction and dimensional data, as described in this bulletin, are provided for your information only and should not be relied upon unless confirmed in writing.